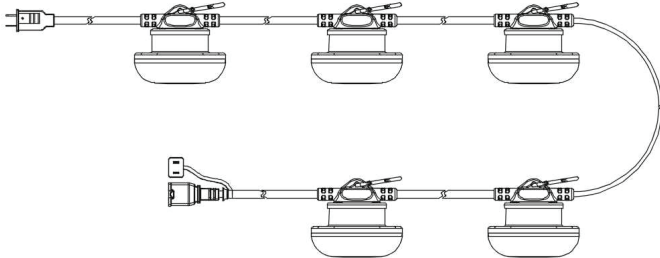


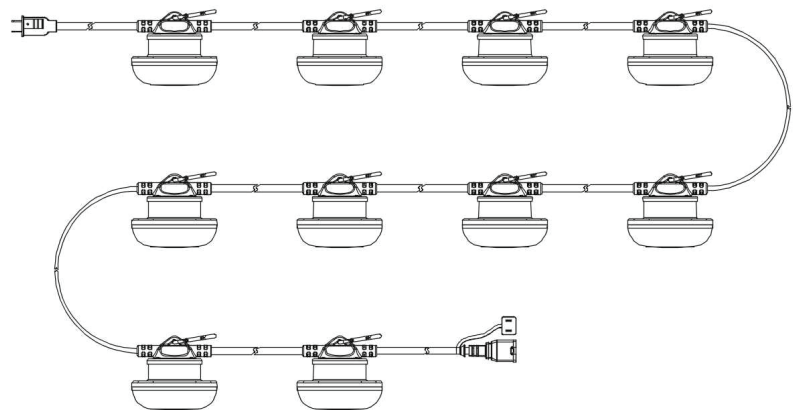
IMPORTANT: RECEIVING INSTRUCTIONS Visually inspect all components for shipping damage. If you find damage, notify the carrier at once. Shipping damage is NOT covered by warranty. The carrier is responsible for all repair or replacement costs resulting from damage in shipment.

Read carefully before installation.

GL50182LED



GL100182LED



⚠ CAUTION

- Before installation and maintenance of the stringer, disconnect all power to prevent electrical shock.
- The stringer must be installed in an appropriate environment, operating in harsh environments may shorten the lifespan or damage the stringer.
- Keep stringer away from any corrosive substance, clean with dry & clean cloth.
- To ensure personal safety, make sure the stringer is firmly connected and secured after being installed in high applications.

APPLICATION:

- Suitable for commercial, residential and decorative applications requiring additional lighting.
- Linkable: **GL50182LED** - When using just the 50ft. stringer, allowed to connect up to 6 stringers
GL100182LED - When using just the 100ft. stringer, allowed to connect up to 3 stringers

PRODUCT SPECIFICATIONS:

MODEL	POWER	VOLTAGE	QTY	LUMEN	CABLE	Suitable for damp locations
GL50182LED	65W	AC 120V	5 units	5 units	18/2 cable	
GL100182LED	130W	AC 120V	10 units	16,000lm	18/2 cable	